

***CRAZYFLY***

# **KITE USER MANUAL**

Register your product at: [crazyflykites.com/register](https://crazyflykites.com/register)



**USING A KITE IS DANGEROUS  
AND CAN CAUSE SEVERE INJURIES.  
BEFORE USE, CAREFULLY READ THIS MANUAL.**

## **RELEASE OF LIABILITY**

By assembling or using this CrazyFly Kiteboarding product (further named only as product or kite), you agree that you have read and understood the CrazyFly Kiteboarding manual (further named only as manual) and warnings before using this product. You also agree that you will ensure any other user of this product to read and understand this manual before allowing this person to use this product.

## **ASSUMPTION OF RISK**

Using this product involves certain inherent risks, dangers and hazards, and can cause severe injuries, damage, or death to both the user and to nonuser third party. The user of this product assumes and accepts any and all risks related to the usage of this product. The user of this product accepts and understands that safety features of this product require training by a recognized instructor or an accredited kite school and can not be learned during an emergency. The user must understand and know how to use the safety features of this product before using this product. The risk of using this product can be greatly reduced by following the guideline principals of this manual and by using common sense.

## **FOR YOUR SAFETY AND THE SAFETY OF OTHERS:**

- We strongly advice every user of this product to take professional lessons in an accredited kitesurfing school.
- Always be extremely careful when using this product.
- The safest way to use this product is on water.
- You are responsible for yourself and others when using this product.
- Always use the safety system in case of an emergency.
- Always use the right kite size for your ability and wind conditions. Do not overestimate your abilities. Be aware that strong gusts can be life threatening.
- Never kite in stormy weather and strong gusts. The kite may attract lightning.
- Never kite when there are obstacles downwind of you.
- Never kite in off or on shore wind conditions.
- Never kite under the effect of drugs and alcohol.
- Never kite alone.
- Never kite without a safety system.
- Never tie yourself to the kite permanently. You should always be able to let

go of the kite rapidly in a case of an emergency.

- Do not try to grab a bar and kite by its lines. Under tension, they can be as lethal as a razor blade.

## **WARRANTY**

CrazyFly guarantees this product to be free from any material and manufacturing defects as determined by CrazyFly. The guarantee does not apply to defects caused by misuse, misapplication, negligence or normal wear and tear, including, but not limited to, product modification and the rigging with other components not coming from CrazyFly, damage caused by excessive sun exposure or excessive exposure in freezing temperatures, and damage due to excessive tightening or improper assembly of screws, damage by improper handling and storage, and damage caused by anything else other than defects in materials and workmanship.

This warranty is valid only if the product is used for recreation and excludes products used in teaching or rental operations or similar. Duration of the warranty is one year since the date of purchase. This warranty commitment does not cover any claim that is beyond our warranty limit. This product is warranted only to the original owner. The warranty applies only to the first case of warranty.

Repaired, discounted, or replaced product is covered only for the remainder of the original warranty period. If a believed claim, defect, or damage is detected, please submit your claim immediately to your retailer. CrazyFly will make the final warranty decision, whether repair, reduction in price, or replacement.

Final warranty decision will be made after careful inspection of photos and videos of the damaged product which must display the serial number of the product as well. It is mandatory for the customer to provide all requested evidence by CrazyFly. If the requested evidence is not provided by the customer, CrazyFly reserves the right to dismiss the claim as void.

All warranty claims must be accompanied by purchase receipt or invoice, which must clearly state the name of the retailer, CrazyFly product and the date of purchase from your retailer. The claimed product must be registered online.

The product can be returned only if the authorization by CrazyFly is given to you. If CrazyFly gives the authorization to return the product, or requests the return of the product, the customer is responsible to prepay all shipping costs and insure the package. Shipping charges are not refundable. CrazyFly is responsible for return shipping and insurance costs to the customer.

If CrazyFly determines the defectiveness of the product, the repair or replacement of the defective product is included in the scope of the guarantee.

Further costs incurred in connection with the defectiveness will not be borne.

## **MEANINGFUL TIPS FOR YOUR SAFETY AND THE SAFETY OF OTHERS**

Helmet, life vest and harness. It is highly recommended to wear a helmet, life vest and a harness when learning to kite and using this product. The harness should be comfortable and of strong manufacture.

Choose your practice spot carefully. The best spot for learning to use this product is an accredited kiteboarding school. When choosing a spot after taking kiteboarding lesson in an accredited kiteboarding school, look for:

- The least crowded place (but do not kite alone).
- Spot which is free of obstacles downwind from you, such as houses, trees, electric lines, cars etc. Always consider enough room for error.
- Shallow water with sideshore winds.
- It is always good to have a safety boat near by.

Check for weather and wind conditions. Check the local weather forecast. Check the wind direction and speed, which might change during the day. You should not ride in stormy weather or strong gusts. The kite may attract lighting.

Respect other kites. Always look around you and pay attention to other kites. Do not hesitate to help others launch or land their kites. Never unwind your kite line on top of others'. Never land your kite on top of someone's lines, it may cause danger.

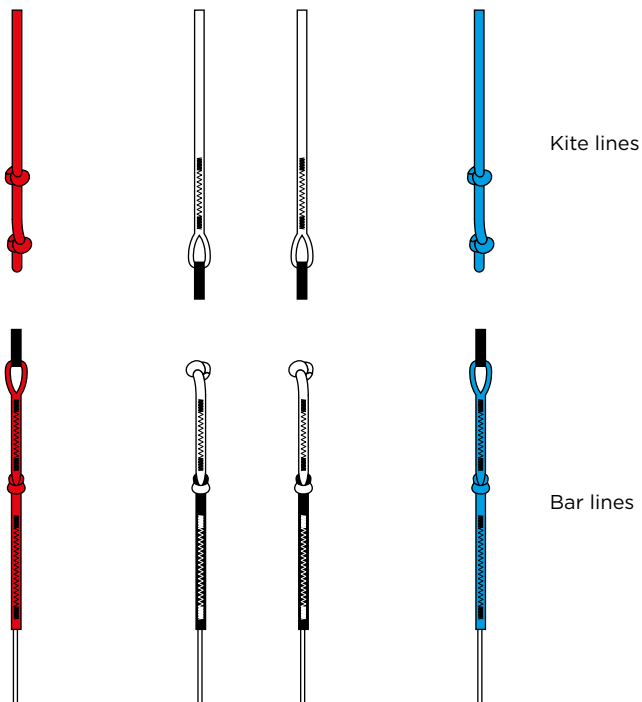
Respect people standing by. Always inform spectators about the power of the kite and the potential risk for them when staying downwind from a kite surfer.

Learn to use your safety system. Always check carefully before flying this kite, if the safety system is not worn out and works properly. Learn how to use the push away safety system. Never fly this kite without the safety system, which allows you to rapidly kill the power of the kite. Use a safety leash which connects you to the kite. This leash should also be releasable for cases of emergency.

## LINE CONNECTION TO A KITE

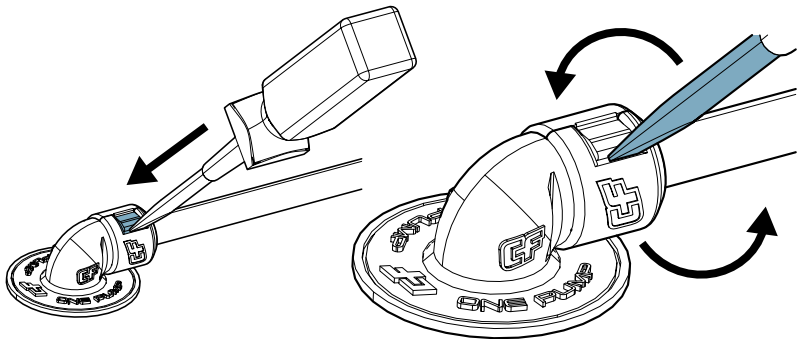
**Warning - Before every kite launch, always check if all lines are correctly and safely attached to the kite.**

All bar and kite lines are color coded and differentiated by knots and loops to prevent the user to make a mistake when connecting the lines to a kite. Do not use this product and do not launch a kite if the lines of this product are not correctly attached to the kite according to the color coding.



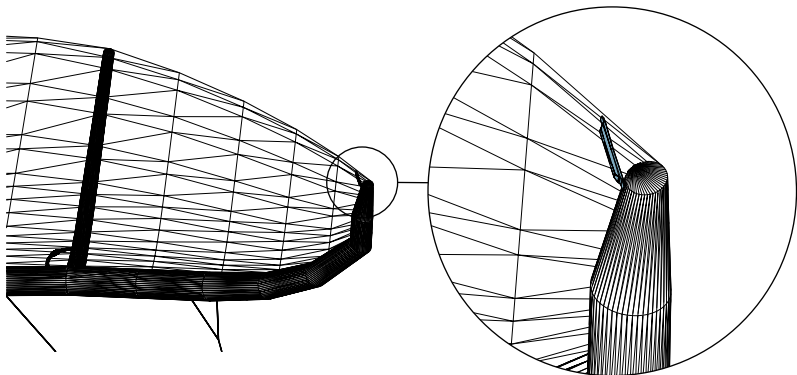
## ONE PUMP CLIPS

The clips on the one pump system can be opened if a one pump tube or bladder change is needed. Simply slide a flat headed screw driver under the clip and use a twisting motion to pop it open. Clips are quite flexible, so use the force needed to open them. To reassemble the clips, simply click them back together. Be cautious not to damage the kite canopy with the screw driver.



## LINE DEFLECTOR / NOT RESCUE HANDLE

This is a line deflector preventing lines getting caught in the wingtip of the kite. It is not a rescue handle. Do not grab the line deflector, it can cause damage to the product.



## **INFLATE / DEFLATE VALVE - PSI**

Always inflate your kite properly. Overinflation can cause product damage. Always use a pump with a pressure gauge and inflate the kite to the PSI printed on the kite next to the inflate valve.

## **CARE AND MAINTENANCE**

- Clean the kite from sand or any other dirt before stowing.
- Never pack down / store a wet kite.
- Do not store in freezing temperatures and extremely high temperatures.
- We recommend storing the kite in the kite bag it comes with and in dry conditions with moderate temperature.
- From time to time, wash the kite with clean water and allow to dry.
- Do not leave the kite inflated on the beach, flapping in the wind, and exposed to the sun.
- Check the kite often for damage. Fixing pinholes or small damage can prevent larger damage to the product in a later stage.

## **REPAIRS**

There are handy items including a small repair kit for the kite located in the kitebag front zip pocket. Should the product get damaged, use the needed repair items for small kite repairs. For larger repairs, please contact your retailer, or one of our official repair centers, which can be found on our website.

## **SUPPORT**

Should you require support about this product, please contact your retailer where you purchased this product.

Serial number of this product is located on top of the kitebag and on the left wingtip of the kite.

Register your product at: **[crazyflykites.com/register](https://crazyflykites.com/register)**

**CRAZYFLYKITES.COM**