

## WARNING!



THE MAST THE WING AND THE STABILIZER HAVE SHARP EDGES THAT MAY CAUSE SERIOUS INJURY OR DEATH.

ALWAYS KEEP THE FOIL LEEWARD AND FAR AWAY FROM THE HUMAN BODY.



DURING SWIMMING OR BODY DRAGGING WITH THE FOIL PLEASE TAKE EXTREME CARE TO NOT HIT YOUR LEGS AND FEET INTO THE FOIL.

THE BOARD WITH THE HYDROFOIL CAN REPRESENT A GREAT DANGER TO THE USER AND TO OTHERS ESPECIALLY IF THE USER LOSES CONTROL.

## IMPORTANT RULES AND MAINTENANCE.



- Check before every use that all the screws are properly tightened.
- Always keep the thread holes clean and lubricate often by using Lithium grease to avoid and prevent oxidation and corrosion due to sea water.
- After every use disassemble and wash all the parts with fresh water and dry them using a soft cloth.
- Do not expose to the sun for long periods of time.
- Store the foil in a safe and dry place in order to prevent injury and damage.
- During assembly pay attention that the sand does not enter into the screws or threads.
- Use adequate protection such as helmet and a floating vest.
- Do not use any kind of leash.
- Use the hydrofoil in safe water conditions and within your abilities.
- Avoid shallow waters with presence of rocks or other solid obstacles.
- Be aware about the laws and regulations, in your chosen riding, about sailing, surfing, windsurfing and kitesurfing.

## ASSUMPTION OF RISK.

Crazy Fly s.r.o. shall not be liable for special, indirect or consequential damages, loss of profits or production or commercial loss in any way connected with the product, whether such claim is based in contract, warranty, negligence, or strict liability.

Further, in no event shall the liability of Crazy Fly s.r.o. exceed the individual price of the product on which liability is asserted. As Crazy Fly s.r.o. has no control over use, setup, final assembly, modification or misuse, no liability shall be assumed nor accepted for any resulting damage or injury.

By the act of use, setup or assembly the user accepts all resulting liability. If you as the purchaser or user are not prepared to accept the liability associated with the use of this product, you are advised to return this product immediately in new and unused condition to the place of purchase.

Law: these terms are governed by illinois law (without regard to conflict of law principals).

## LIMITED WARRANTY.

Crazy Fly s.r.o. reserves the right to change or modify this warranty without notice and disclaims to all other warranties expressed or implied.

(a) This warranty is limited to the original purchaser ("purchaser") and is not transferable. Replacement as provided under this warranty is the exclusive remedy of the purchaser. This warranty covers only those products purchased from an authorized Crazy Fly s.r.o. dealer. Third party transactions are not covered by this warranty. Proof of purchase is required for warranty claims.

(b) Limitations - Crazy Fly s.r.o. makes no warranty or representation, expressed or implied, about noninfringement, merchantability or fitness for a particular purpose of the product. The purchaser acknowledges that they alone have determined that the product will suitably meet the requirements of the purchaser's intended use.

(c) Purchaser remedy - Crazy Fly s.r.o. sole obligation hereunder shall be that Crazy Fly s.r.o. will, at its option, replace any product determined by Crazy Fly s.r.o. to be defective, in the event of a defect, this is the purchaser's exclusive remedy. Replacement decisions are at the sole discretion of Crazy Fly s.r.o. This warranty does not cover cosmetic damage, accident, misuse, abuse, negligence, commercial use, or modification of, or, to any part of the product. This warranty does not cover damage due to improper installation, operation, maintenance or attempted repair by anyone.

# FOIL USER MANUAL

**CRAZYFLY**

## FOIL BOARD

 **4x** Foil Board  
[M6x18] PHILIPS

 **4x** Washer  
[M6]

T008-0132

## FOIL STRAPS

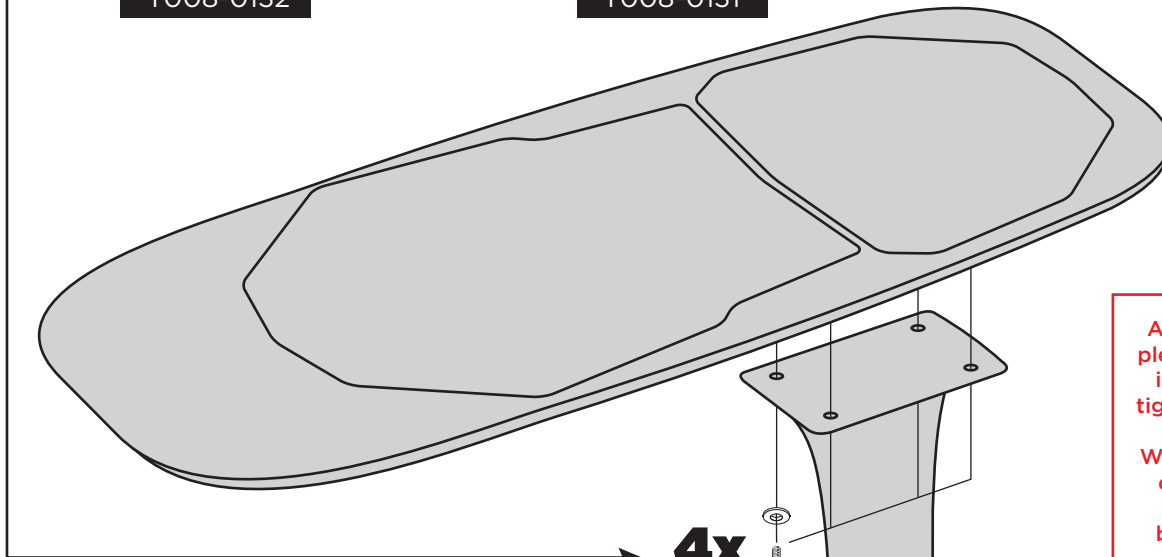
 **6x** Footstrap Foil  
[M6x14] PHILIPS

 **6x** Washer  
[M6]

T008-0131



Always keep the threaded holes clean and lubricate often by using Lithium grease to avoid and prevent oxidation and corrosion due to sea water.



After the first session, please check all screws, if they are loose and tighten all loose screws.

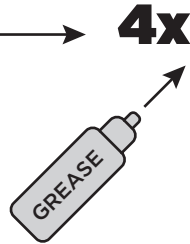
We strongly suggest to check all screws are tightened properly before each session.

Remove wooden plate protection and screws holding the wood.

We suggest to turn the foil board upside down, so that the bottom of the foil board is facing you and lay it flat on a carpet or soft surface.

Then, place the foil mast mounting plate overlooking the inserts on the board and select desired foil position.

Place 4x M6 washers over the holes on the foil mast mounting plate and place screws into the hole. Tighten fully.





## STABILIZER

 **2x** Stabilizer  
[M6x16] HEXALOBULAR

Insert the flat head screws M6x16mm in the corresponding hole without tightening. Proceed to tighten the screws.


## FRONT WING FREERACE 558

 **1x** Front wing  
[M6x16] HEXALOBULAR

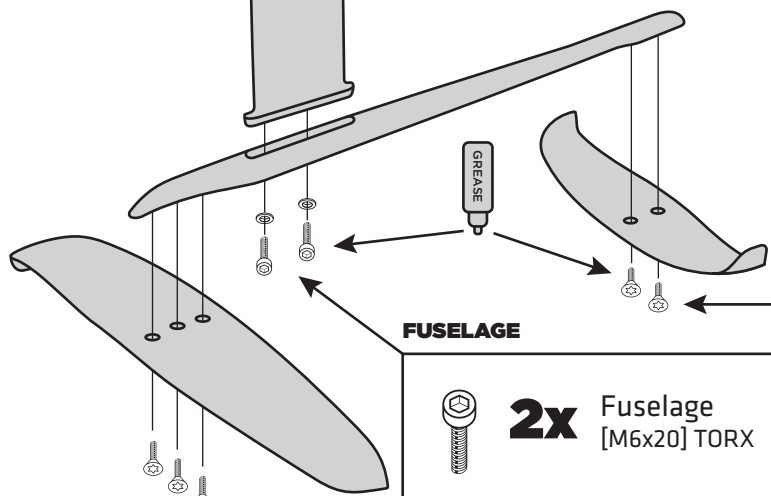
 **2x** Front wing  
[M6x20] HEXALOBULAR

Insert 1 piece flat head screw M6x16mm in the rear hole, 2 pieces M6x20mm in the others. Proceed to tighten the screws.

## FRONT WING FREEIDE 550


 **3x** Front wing  
[M6x20] HEXALOBULAR

Insert the flat head screws M6x20mm in the corresponding hole without tightening. Proceed to tighten the screws.



## FUSELAGE

 **2x** Fuselage  
[M6x20] TORX

 **2x** Washer  
[M6]  $\varnothing 6.2 \times \varnothing 9.9 \times 1$

Insert the two Socket head torx screws M6x20mm and the two washers in the holes without tightening. Proceed to tighten the screws.